



zeroCO₂[®] island

3.6/6 kW Off-grid Hybrid Inverter

Features:

- Off-grid inverter with MPPT range 120 to 430 Vdc;
- Suitable for lead and lithium batteries;
- The inverter allows the BMS communication for 48V Pylontech batteries;
- Configuration for operation priority: PV, grid or power generator;
- The inverter can work without batteries, powered by grid and / or PV and / or power generator;
- Auto restart function when the grid or the PV returns;
- The inverter can be integrated into third party monitoring systems through communication protocol on RS232, RS485, CAN-BUS;
- Remote WiFi monitoring capabilities available for iOS and Android app;
- Multi inverter connection in single-phase or three-phase up to nine units;
- Single-phase configurations from 3.6 to 54 kW with multiple parallel inverters;
- Three-phase configurations from one to three inverters per phase connected in parallel for powers from 10.8 kW to 54 kW;
- 2-year warranty.

Dimensions:

Width: 295 mm
Height: 468 mm
Depth: 140 mm
Weight: 12 kg



Please note:
only the white color is available in stock.

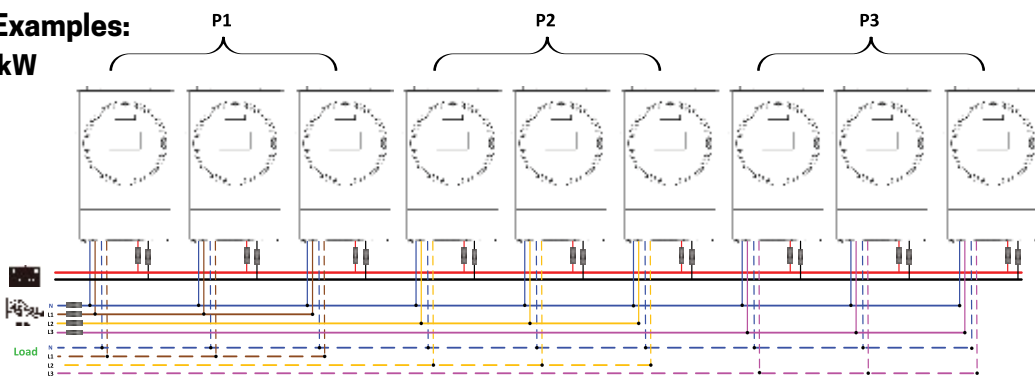


SAVE YOUR PLANET
www.energyspa.com

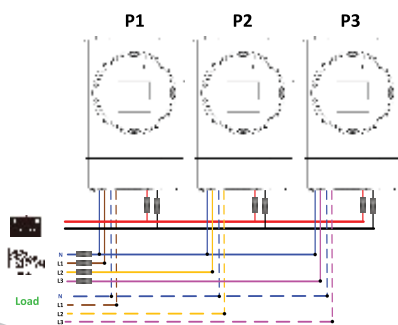
Model	zeroCO ₂ island 3.6kW	zeroCO ₂ island 6kW Twin
Item code	90080535	90080540
Rated Power [VA/W]	3.6/3.6	6/6
AC INPUT		
Nominal Voltage / Frequency [V/Hz]	230 / 50~60 (Auto sensing)	
Voltage Range (*) [V]	90~280 ±7	
Frequency Range (*) [Hz]	40~65 ±1	
AC OUTPUT		
AC Voltage Regulation [V]	230 ± 5%	
Overload capacity	5s@≥150% load / 10s@110%~150% load / 100ms @ ≥200% load	
Efficiency [Peak]	93%	
Transfer Time [ms]	20	
Waveform	Pure sine wave	
BATTERY		
Battery Voltage Range [V]	45-54	
Charge Voltage [V]	54	
Overcharge Protection [W]	5000	
SOLAR CHARGER & AC CHARGER		
MPPT	1	
Maximum PV Array Power [W]	5000	6000
MPPT Range @ Operating Voltage [VDC]	120 ~ 430	
Maximum PV Array Open Circuit Voltage [VDC]	500	
Max current from PV [A]	18	27
Maximum Solar Charge Current [A]	100	120
Maximum AC Charge Current [A]	100	120
GENERAL DATA		
Dimension, [WxHxD] [mm]	295x468x140	
Net weight [kg]	12	
Communication	USB, RS232, RS485, Bluetooth, WiFi	
Protection degree	IP21	
OPERATING ENVIRONMENT		
Humidity	5% ~ 95% Relative Humidity (Non-condensing)	
Operating Temperature [°C]	-10 ~ + 50	
Storage Temperature [°C]	-15 ~ +60	
Warranty [years]	2	

(*) The inverter supplies electrical power again once the range is ok.

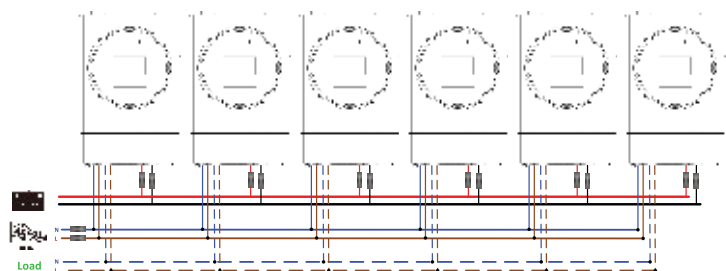
Configuration Examples: Three-Phase 54 kW



Three-Phase 18 kW



Single-Phase 36 kW



Energy S.p.A.

Registered office:
Piazza Manifattura, 1
38068, Rovereto TN
Tel. +39 0464 350812 - Fax +39 0464 350512



www.energyspa.com
www.bandoaccumulo.com

Energy S.p.A.

Operations/Warehouse:
Via Zona Industriale, 10
35020, Sant'Angelo di Piove di Sacco (PD) - Italy
info@energysynt.com
Tel. +39 049 2701296 - Fax +39 049 8599098